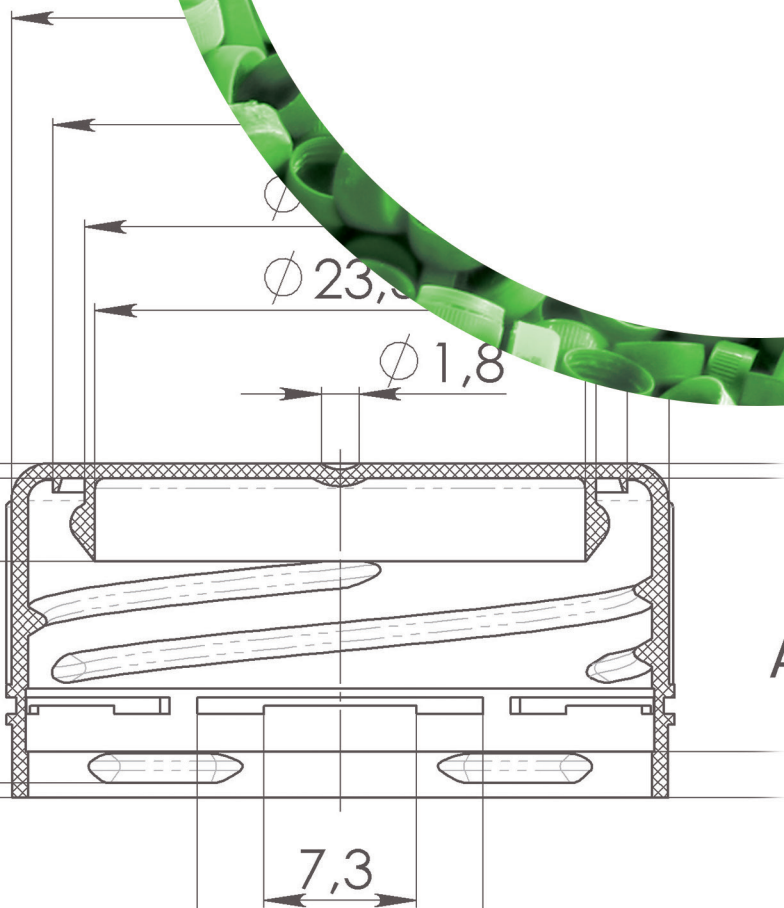
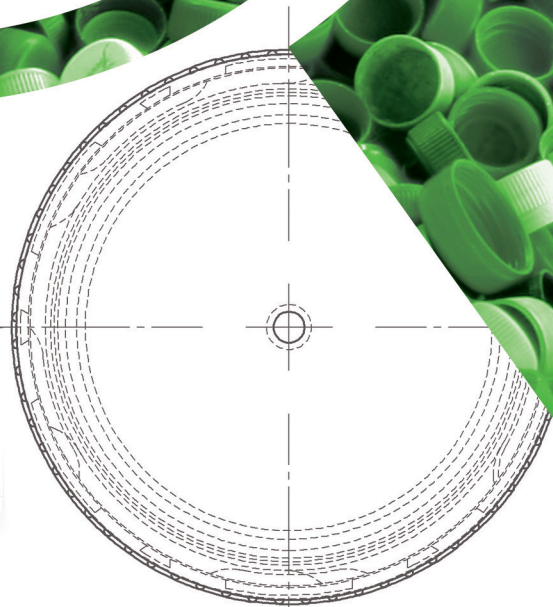


osmor

PRODUCT CATALOG



A ↑



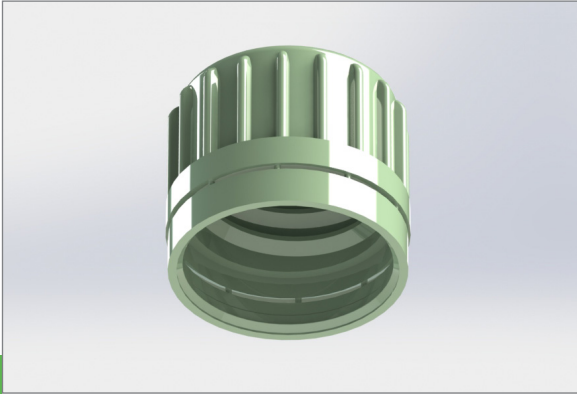


STANDARD LINE

Our standard collection offers solutions for a wide range of usage in different size and material, depending on function. Our food closures are tested against material release and for food safety, while our home care caps has childresistant function (ISO 8317) to protect your products.

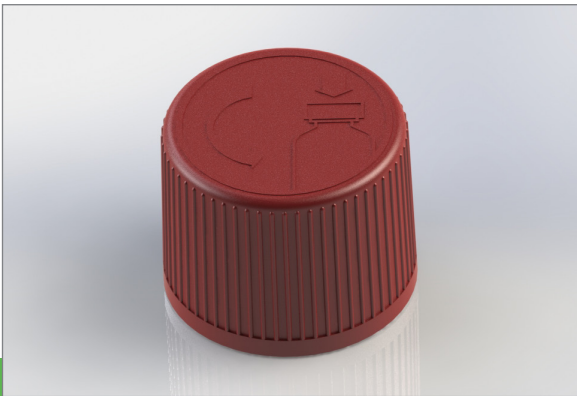
Product

Specifications



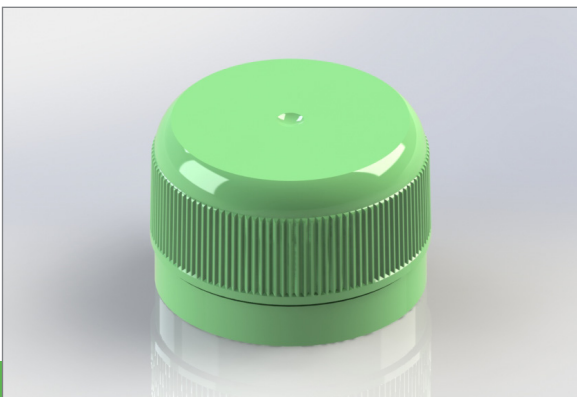
Size: 18 mm
Type: screw cap
Bottle: PET
Material: HDPE, PP
Seal: EPE liner
Tamper evident function

Z 18



Size: 18 mm
Type: screw cap
Bottle: PET
Material: HDPE, PP
Seal: EPE liner
Tamper evident function
Child resistant

ZD 18



Size: 28 mm
Type: screw cap
Bottle: PET, glass
Material: HDPE
Seal: - plug seal (PET bottles)
- EPE liner (PET and glass bottles)
Tamper evident function

Z 28

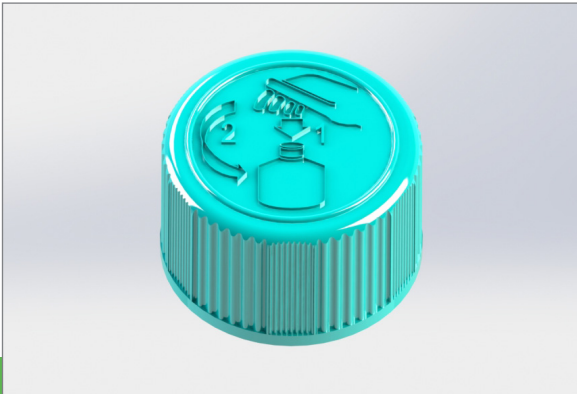


Size: 28 mm
Type: screw cap
Bottle: PET
Material: HDPE
Seal: plug seal
Tamper evident function

Z 28 SHORT

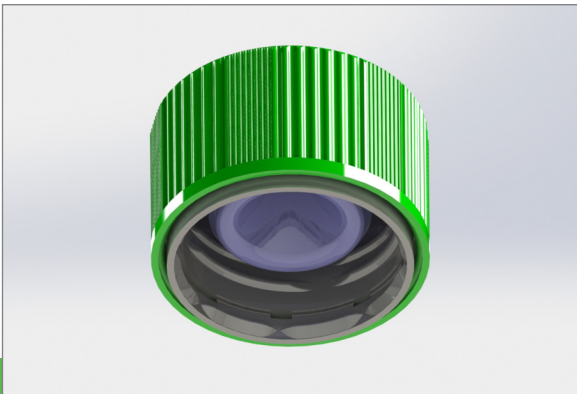
Product

Specifications



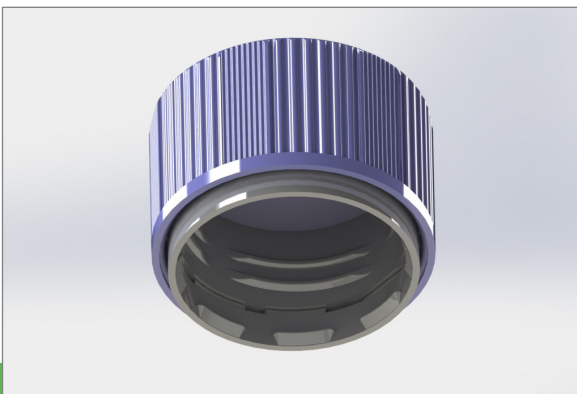
Size: 28 mm
Type: screw cap
Bottle: PET, HDPE
Material: HDPE, PP
Seal: - plug seal (PET bottles)
- EPE liner (PET and HDPE bottles)
Tamper evident function
Child resistant

ZD 28



Size: 28 mm
Type: screw cap
Bottle: PET
Material: HDPE, PP, LDPE
Seal: inner plug (MC 30)
Tamper evident function

ZD 28 MC



Size: 28 mm
Type: screw cap
Bottle: glass
Material: HDPE, PP
Seal: EPE liner
Tamper evident function
Child resistant

ZD 28 STAK



Size: 30 mm
Type: screw cap
Bottle: PET
Material: HDPE
Seal: plug seal
Tamper evident function

Z 30

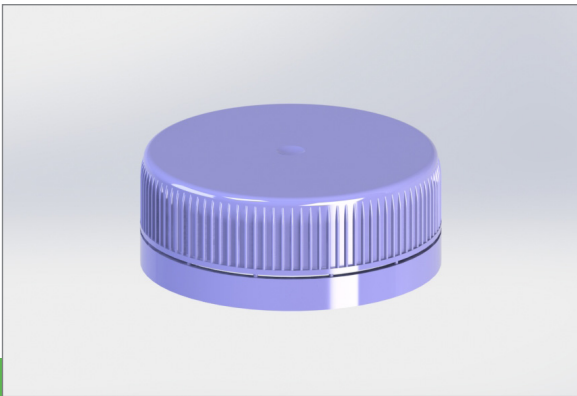
Product

Specifications



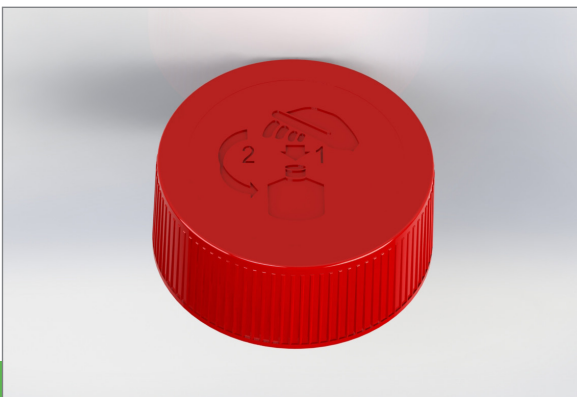
Size: 37 mm
Type: screw cap
Bottle: PET with double start thread
Material: HDPE
Seal: plug seal
Tamper evident function

Z 37



Size: 38 mm
Type: screw cap
Bottle: PET, HDPE
Material: HDPE
Seal: - plug seal (PET bottles),
- EPE or induction liner (PET and HDPE bottles)
Tamper evident function

Z 38



Size: 38 mm
Height: 20,4 mm
Type: screw cap
Bottle: PET, HDPE
Material: HDPE, PP
Seal: EPE liner
Tamper evident function
Child resistant

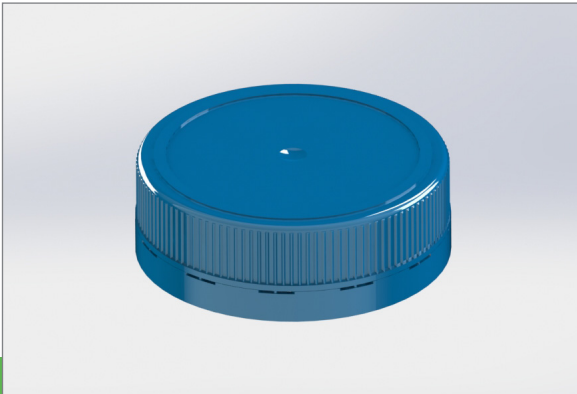
ZD 38 V



Size: 38 mm
Height: 16,9 mm
Type: screw cap
Bottle: PET, HDPE
Material: HDPE, PP
Seal: - plug seal (PET bottles)
- EPE liner (PET and HDPE bottles)
Tamper evident function
Child resistant

ZD 38 M

Product



Specifications

Size: 48 mm
Type: screw cap
Bottle: PET with triple start thread, HDPE
Material: HDPE
Seal: - plug seal (PET bottles)
 - EPE liner (PET and HDPE bottles)
Tamper evident function

Z 48



Size: 48 mm
Type: screw cap
Bottle: PET, HDPE
Material: HDPE, PP
Seal: - plug seal (PET bottles)
 - EPE liner (PET and HDPE bottles)
Tamper evident function
Childe resistant

ZD 48

